



QM1610

Large Character Ink Jet Printer

Ink Jet.

Supplies.

Parts &
Service.



The QM1610 is a compact ink jet printer that provides high quality, reliable, and economical printing of one or two lines of text. Whatever your programming needs, the QM1610 can be programmed quickly and easily. Product names, identification numbers, automatic production counts and accurate-to-the minute time code capabilities are available at the touch of a button.

Up to two lines of print with built-in multiple languages

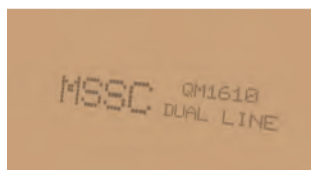
- Print one or two lines of text using a variety of selectable languages and printable characters
- Marks cartons and provides production information vital for inventory and quality control
- Easy-to-use icon keys allow you to adjust and edit product codes with a few simple keystrokes
- Menu-driven programs include electronically accurate automatic date change, clock functions, and consecutive counts

Most economical cost per code solution

- Delivers an all-in-one, low cost solution from high ink mileage and low maintenance requirements
- Hard-working design provides outstanding reliability and unsurpassed performance

Out of the box and on the job in minutes

- Can be assembled and installed in minutes; simply plug it in and you are ready to print
- Mounted directly to a conveyor, it includes: controller/keypad, printhead, power pack, power cord, mounting brackets and a pressurized ink bottle



System Includes

Controller/Input Device; Printhead; Universal Power Supply; Mounting Bracketry and a bottle of Porous Ink

Built-in Software Features

Customized time and date codes
 Rollover hour
 Expiration date for automatic printing
 Shift organizer for automatic coding by particular shifts (up to 4 shifts)
 Print delay for message placement
 Character width adjustment
 Variable speed or fixed speed printing
 Consecutive incremental numbering

Operating Languages

English, French, Italian, German, Swedish, Portuguese, Spanish, Norwegian, Finnish, Turkish, Hungarian, Dutch, Polish, Russian, Cyrillic (menu selected)

Special application units include: Simplified Chinese, Traditional Chinese, Japanese, Korean, Thai, Arabic

Print Heights

Standard Print Height: 1 inch (25mm)
 Optional Heights: ¾ inch (20 mm), 1 ¼ inches (32mm), 1.9 inches (48mm)

Character Fonts

7x5 dot matrix, 16x16 dot matrix

Conveyor Line Speed

20 feet/min. (6.1 m/min.) to 200 feet/min. (61.0 m/min.)

Message Length

Up to 40 characters of 16 dot font or two 80 character rows of 7 dot font

Message Storage Capacity

Up to 40 messages

Operating Temperature Range

40°F to 120°F (4°C to 49°C)

Electrical

System uses a universal switching power supply. 100/240VAC at 50/60Hz

Print Sensor

Internal sensors included; external sensor is optional

Ink System

Internally regulated ink system; factory set; no adjustment necessary

Ink

8 oz. (0.23 liter) bladder pressurized, non-aerosol ink bottle

Shipping Weight

11.45 lbs. (5.19 kg)

Mounting Bracketry

15 and 9 inch (38.9 and 22.8cm) tubing with 1 inch (2.54cm outside diameter (OD)

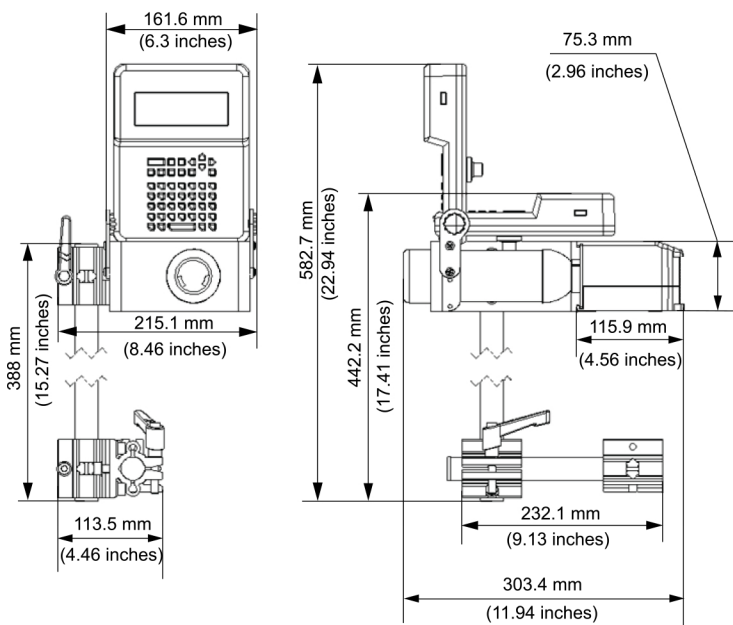
Optional hand levers can be installed for simple up/down and in/out adjustments

Optional Bracketry for Special Installations

Long Reach Bracket Kit available for special mounting situations



Dimensions



NRP Technologies Pvt. Ltd.,

Registered Office:

H.No. 12-6-2/186, Vivek Nagar
 Kukatpally, Hyderabad - 500 072
 Andhra Pradesh

Phone: +91 96765 95558 / 96768 95558

web: www.nrptechnologies.com
nrp.technologies@gmail.com